



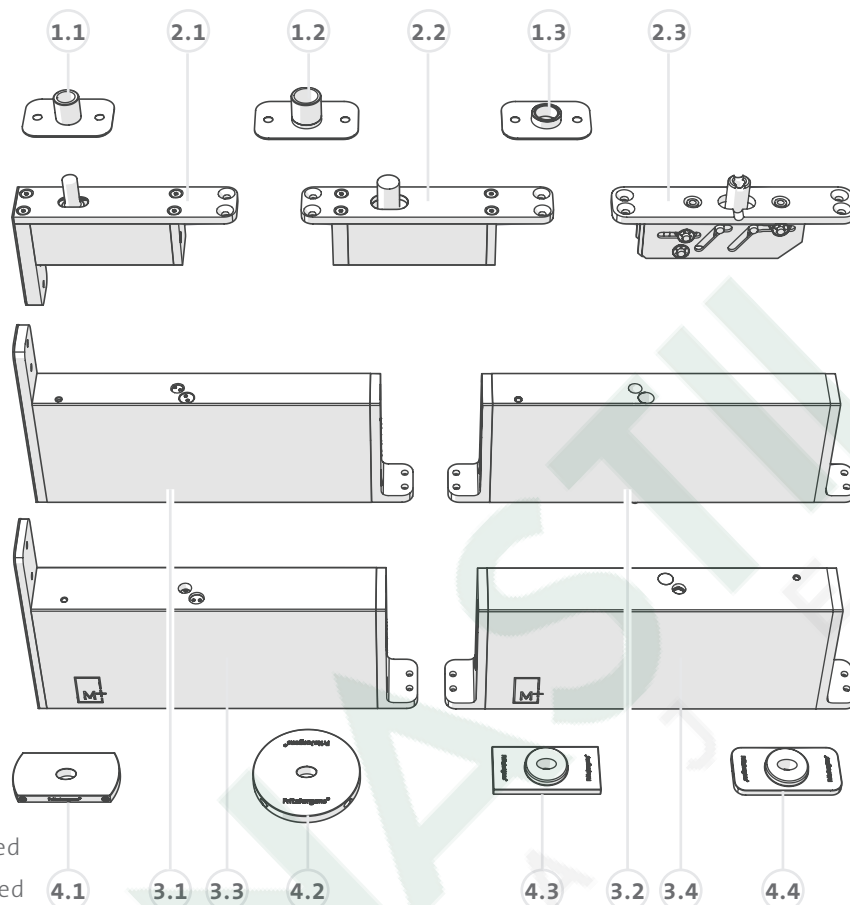
FritsJurgens[®]

SYSTEM M
MILLING AND MOUNTING MANUAL

BOX CONTENTS

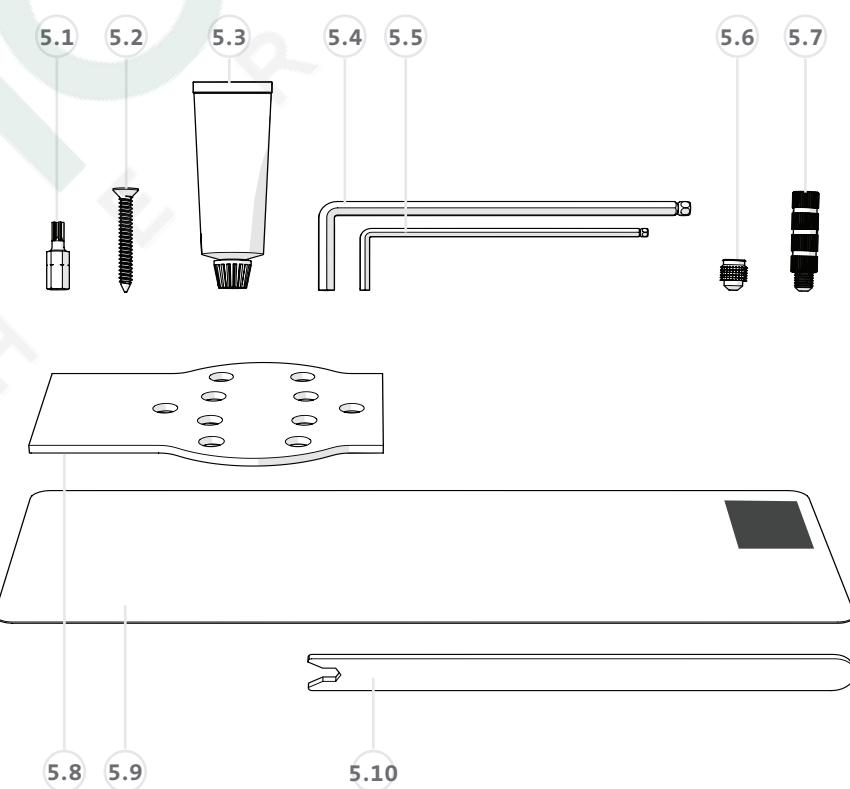
COMPONENTS

- 1.1 Ceiling plate - Class B
- 1.2 Ceiling plate - Class G
- 1.3 Ceiling plate - Cable Grommet
- 2.1 Top pivot 40 mm - Class B or G
- 2.2 Top pivot 70 mm - Class B or G
- 2.3 Top pivot Cable Grommet
- 3.1 Bottom pivot System M 40 mm - Class AA to C or Bottom pivot System M+ 40 mm - Class A to E
- 3.2 Bottom pivot System M 70 mm - Class AA to C or Bottom pivot System M+ 70 mm - Class A to E
- 3.3 Bottom pivot System M+ 40 mm - Class F and G
- 3.4 Bottom pivot System M+ 70 mm - Class F and G
- 4.1 Floor plate System M - Squared
- 4.2 Floor plate System M - Round
- 4.3 Floor plate System M - Flush squared
- 4.4 Floor plate System M - Flush rounded



MILLING AND MOUNTING KIT

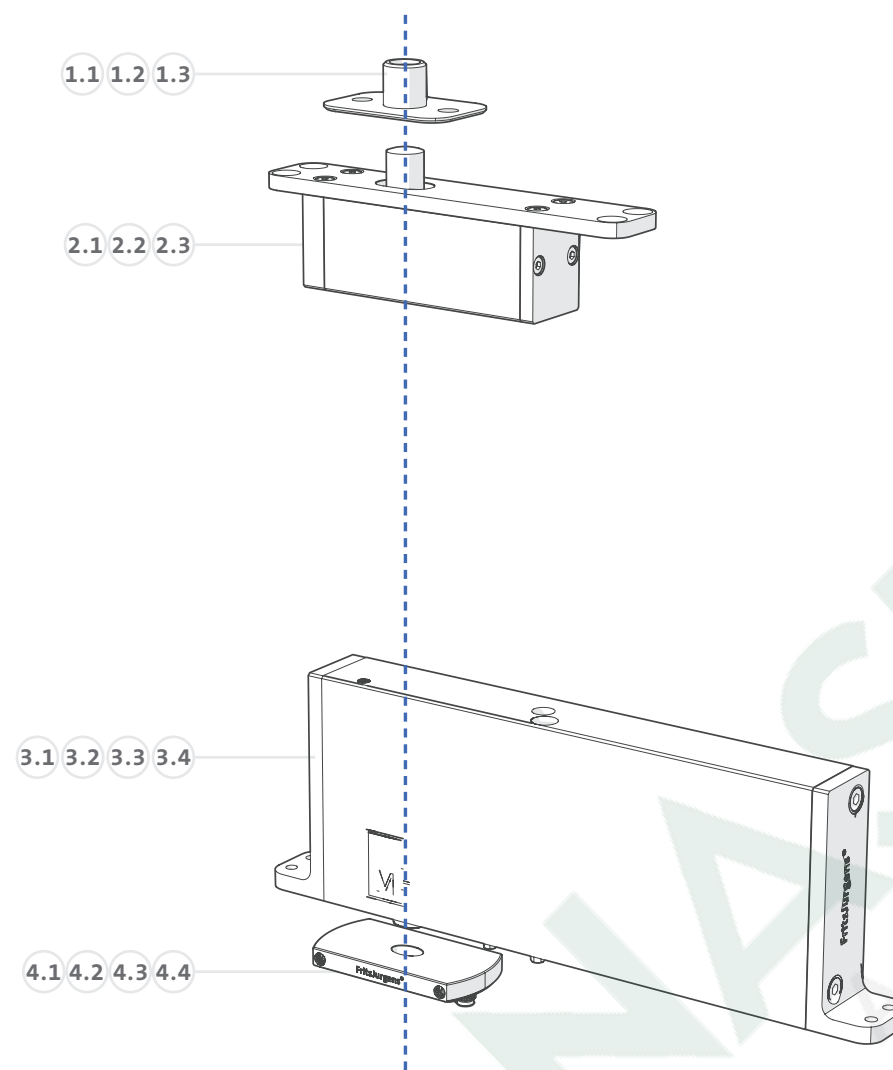
- 5.1 Torx bit TX20 (1x)
- 5.2 Screws (4x50) (10x)
- 5.3 Fitting adhesive
- 5.4 Allen key 5
- 5.5 Allen key 3
- 5.6 Mounting pins, short* (2x)
- 5.7 Mounting pins, long* (2x)
- 5.8 Fitting template
- 5.9 Double-sided fine-tuning sheet**
- 5.10 Adjustment spanner



* Only in box floor plate System M - Squared

** Only for M+

SYSTEM OVERVIEW



MILLING INSTRUCTIONS

→ Determine pivot point A.

System M+/M - Class AA to E

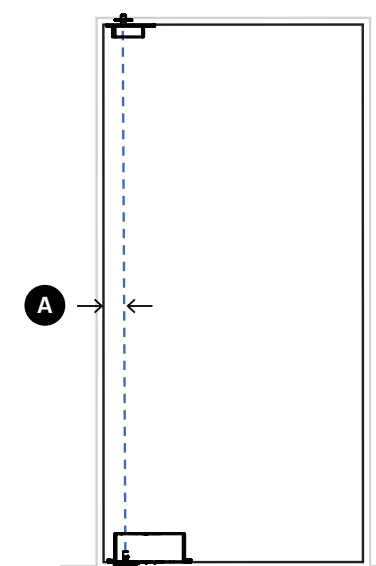
- A = 40 mm → page 4
- $70 \text{ mm} \leq A < 250 \text{ mm}$ → page 6
- A > 250 mm → page 12

System M+/M - Class F and G

- A = 40 mm → page 8
- $70 \text{ mm} \leq A < 250 \text{ mm}$ → page 10
- A > 250 mm → page 12

Top pivot Cable Grommet

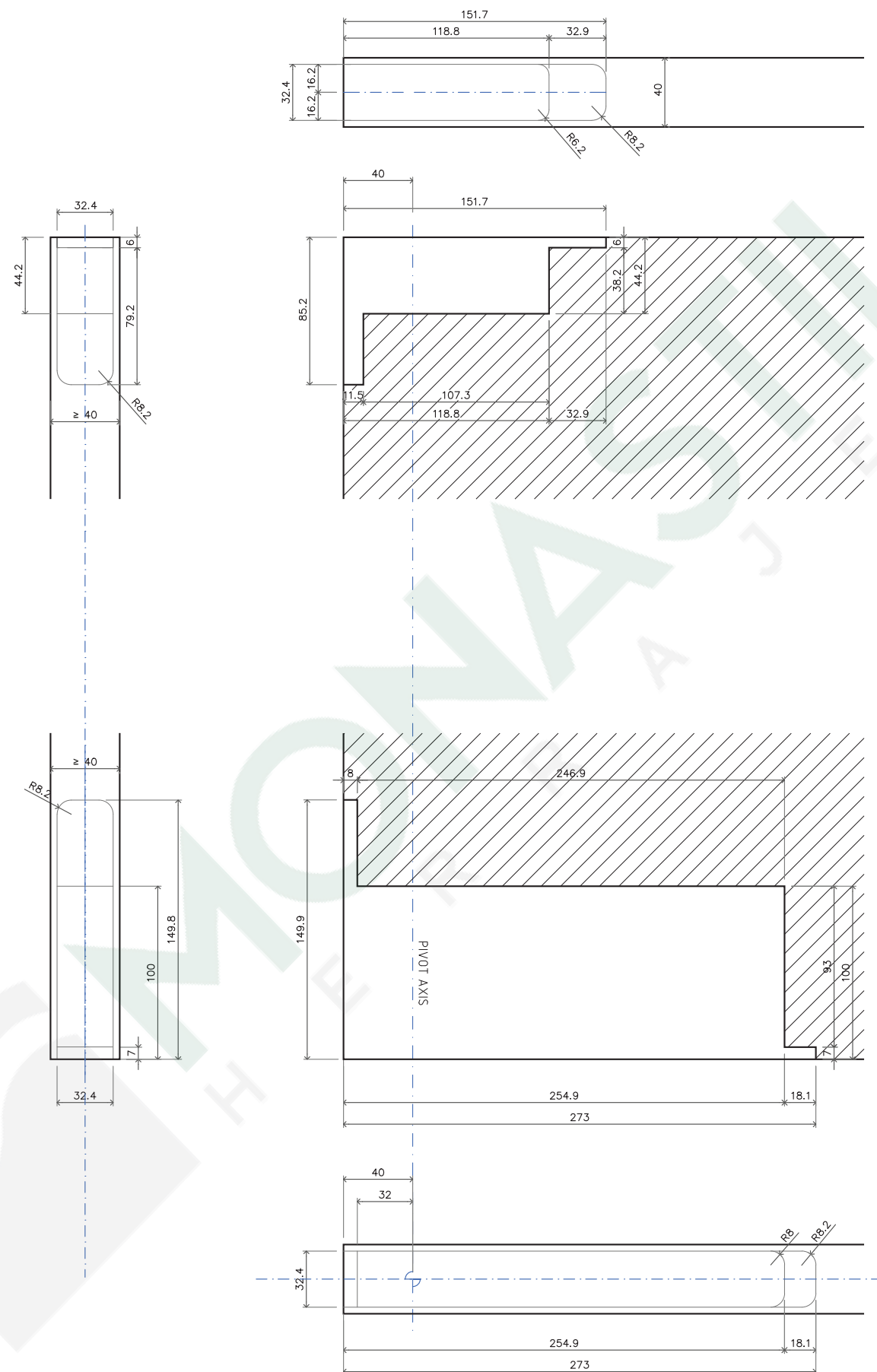
→ page 14



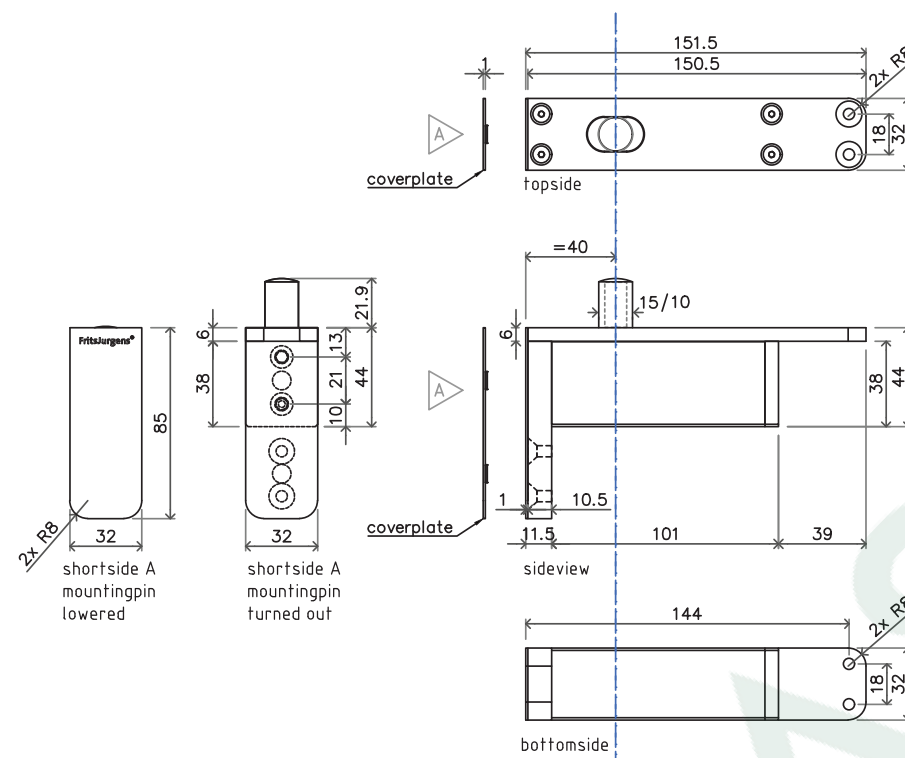
MOUNTING INSTRUCTIONS

→ page 15

A = 40 MM
PREPARING THE DOOR

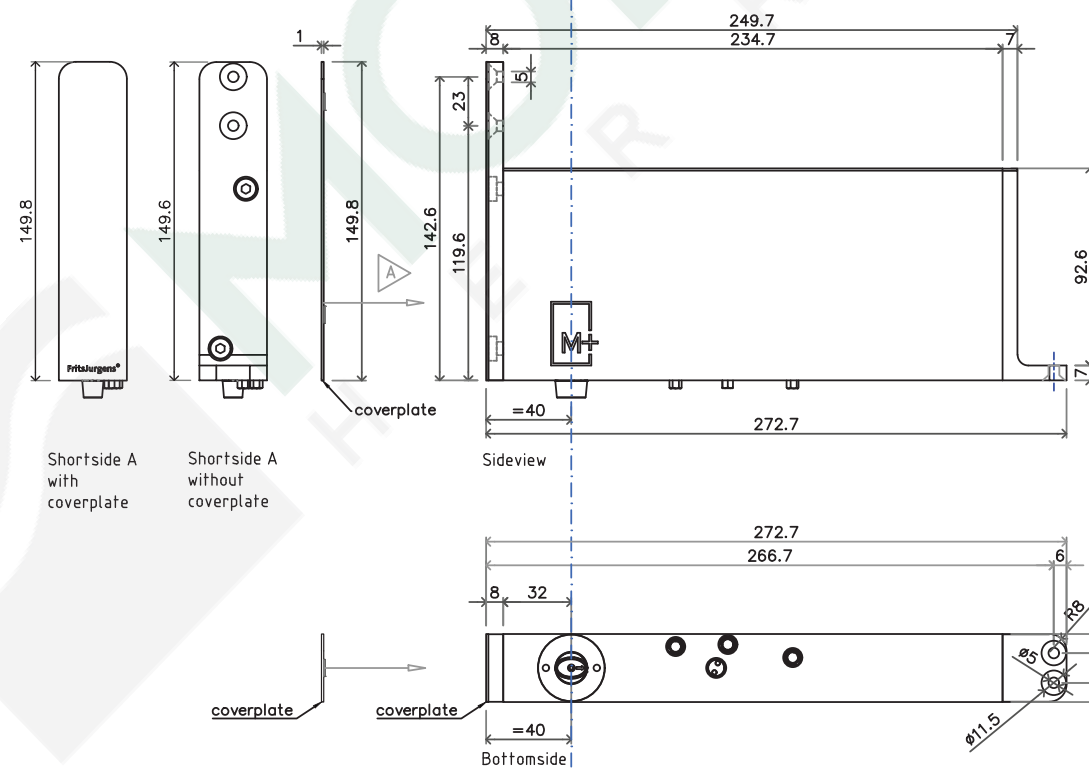


COMPONENTS



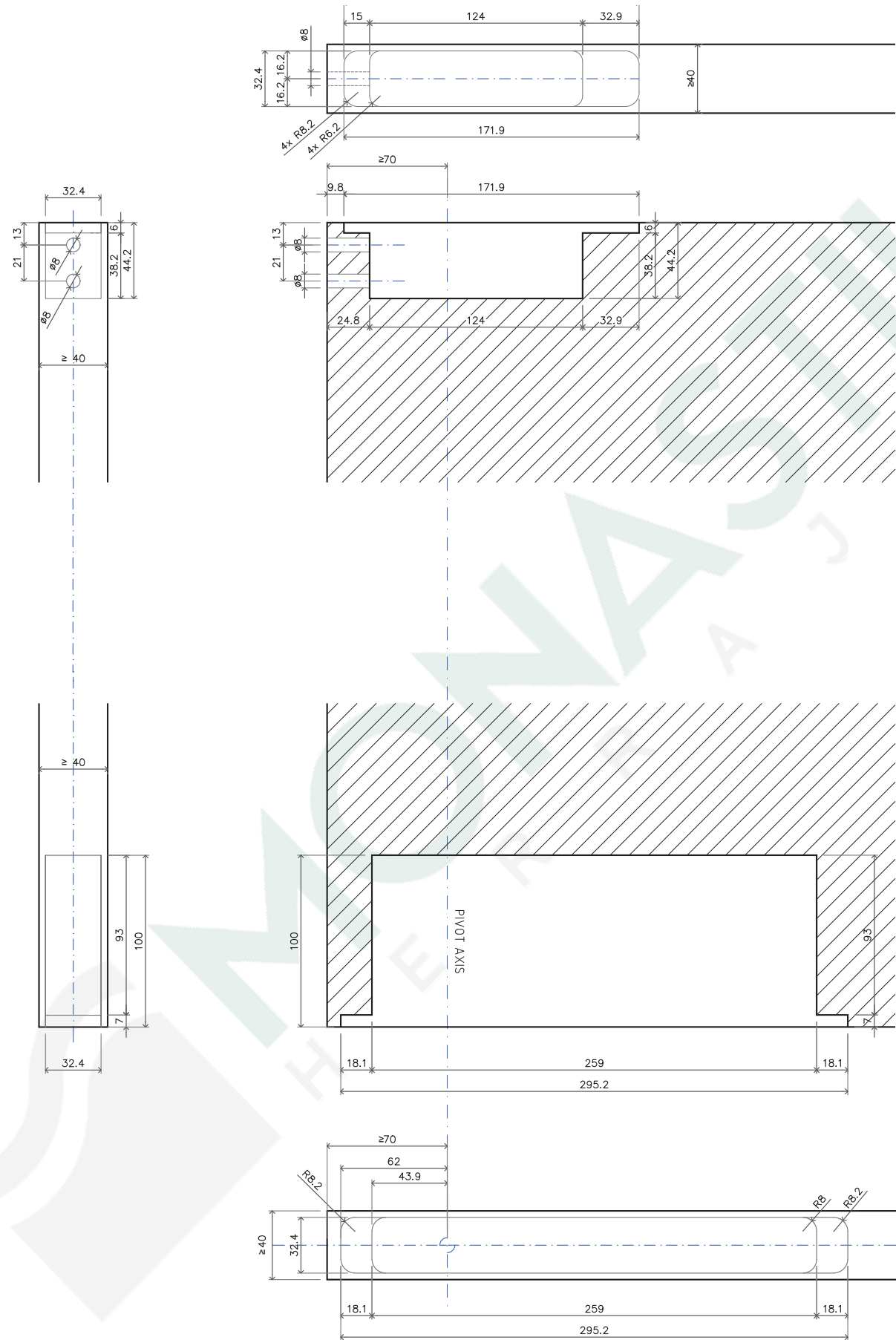
www.fritsjurgens.com/installation-tp40

Top pivot 40 mm - Class B or G

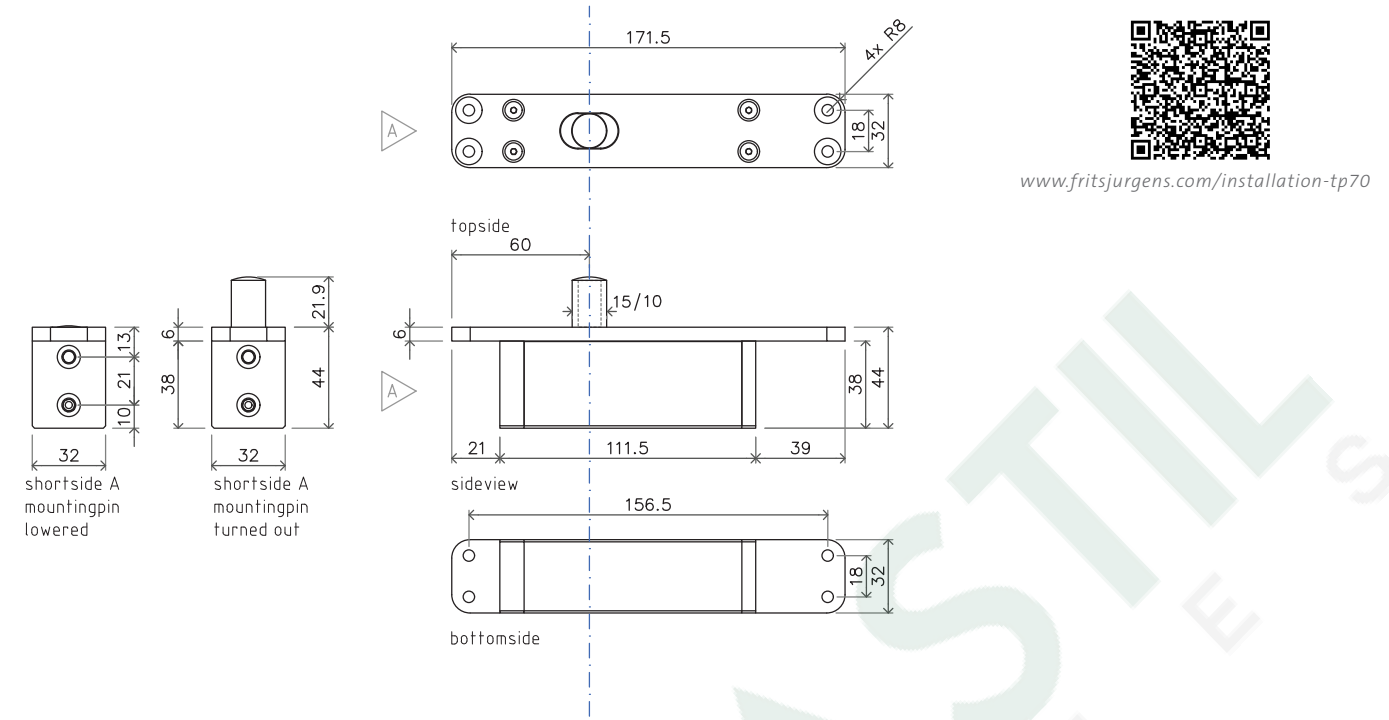


System M 40 mm
System M+ 40 mm

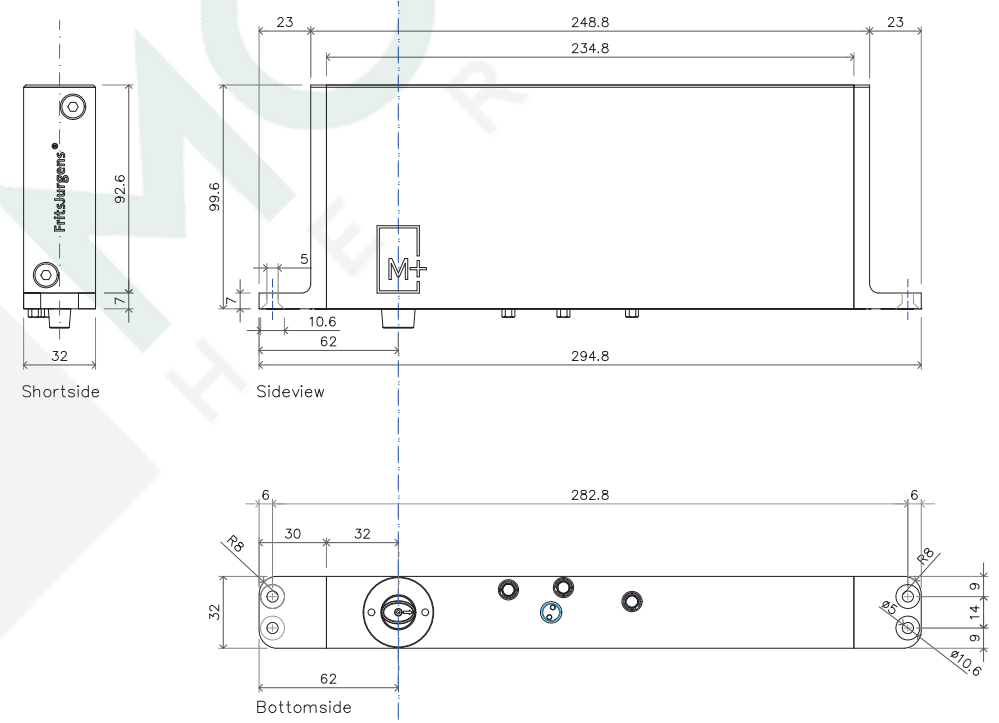
70MM ≤ A < 250 MM
PREPARING THE DOOR



COMPONENTS



Top pivot 70 mm - Class B or G

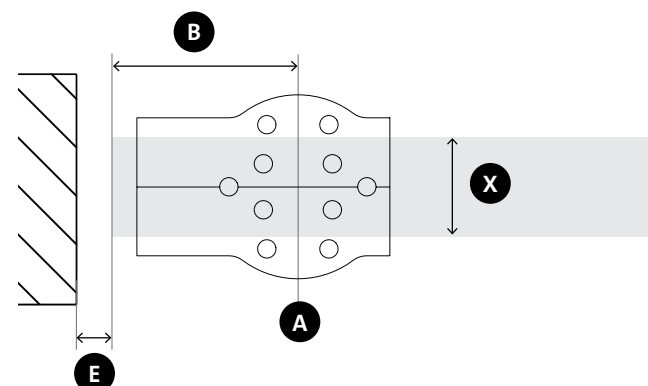


System M 70 mm
System M+ 70 mm

FLOOR PLATE SQUARE, FLOOR PLATE ROUND

1 Determine the position of pivot point **A** on the floor. Use the fitting template and the table below.

2 Mark pivot point **A** on the floor and on the ceiling.



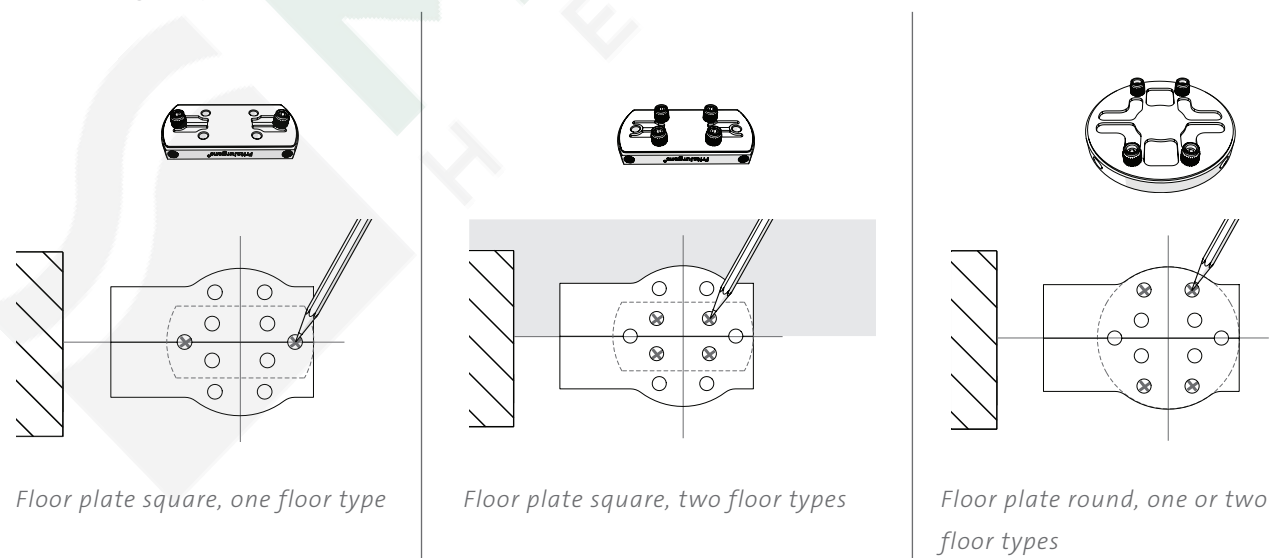
B	40	50	60	70	80	90	100	X
40	7	9	12	15	19	22	26	
70	5	6	10	10	13	15	18	
91	4	5	7	9	10	12	15	
250	3	3	4	4	5	6	7	
500	2	3	3	3	4	4	5	
1000	2	2	3	3	3	3	3	
1500	2	2	2	2	2	3	3	
2000	2	2	2	2	2	2	3	

E Minimum gap between door and wall (mm)

B Distance pivot point to door edge (mm)

X Door thickness (mm)

3 Mark the drilling holes on the floor. Use the fitting template.

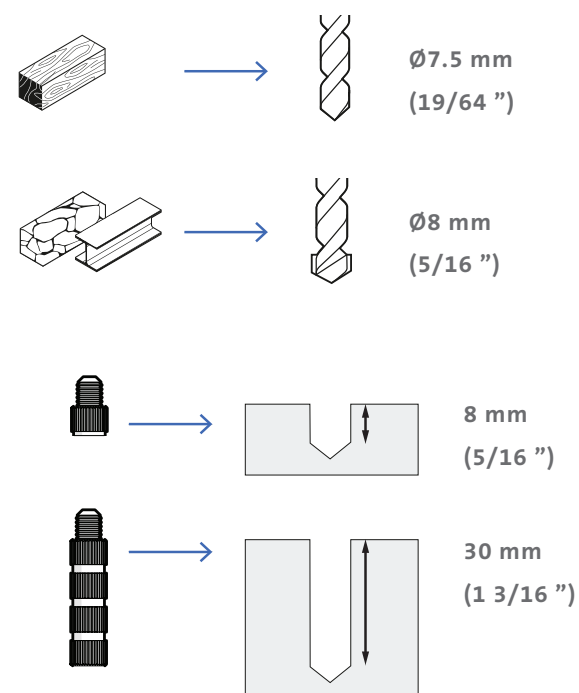


Floor plate square, one floor type

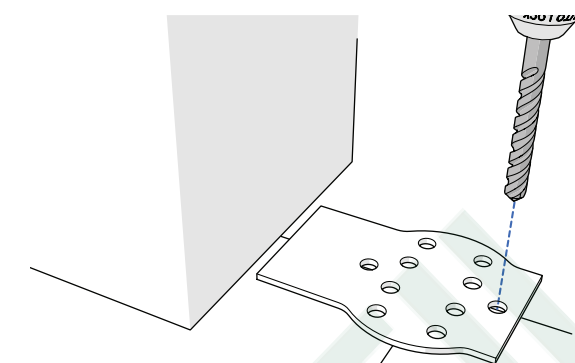
Floor plate square, two floor types

Floor plate round, one or two floor types

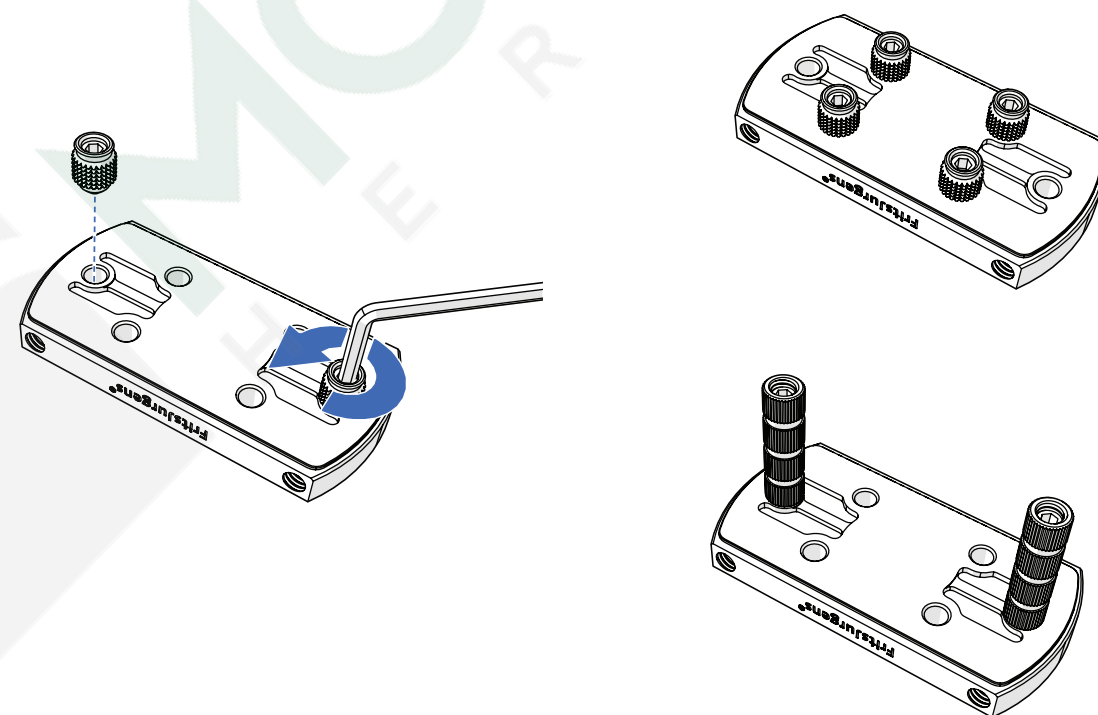
4 Select the correct drill bit for the floor and determine the drilling depth.



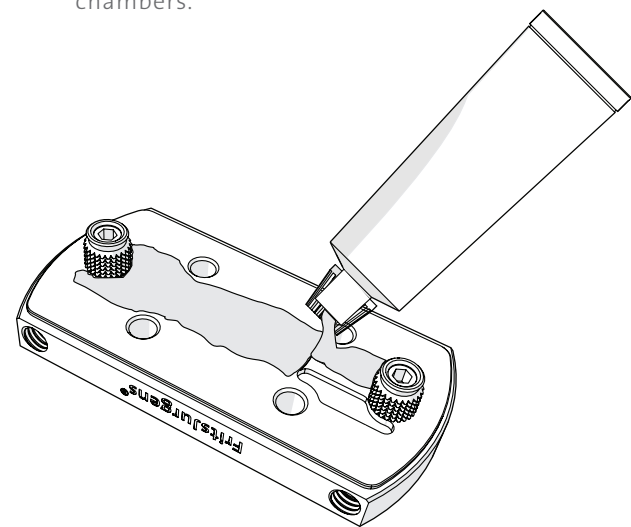
5 Drill the holes in the floor on the marked spots.



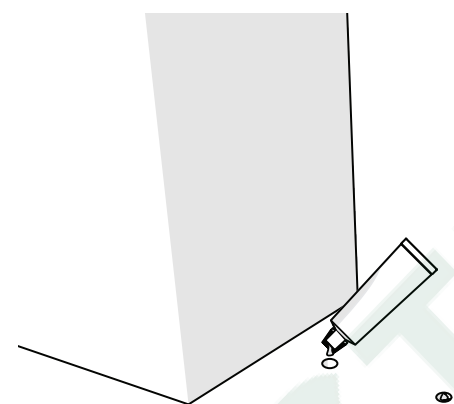
6 Determine the pin configuration for your situation. If necessary, use Allen key 3 to unmount the pre-installed pins and install the correct configuration.



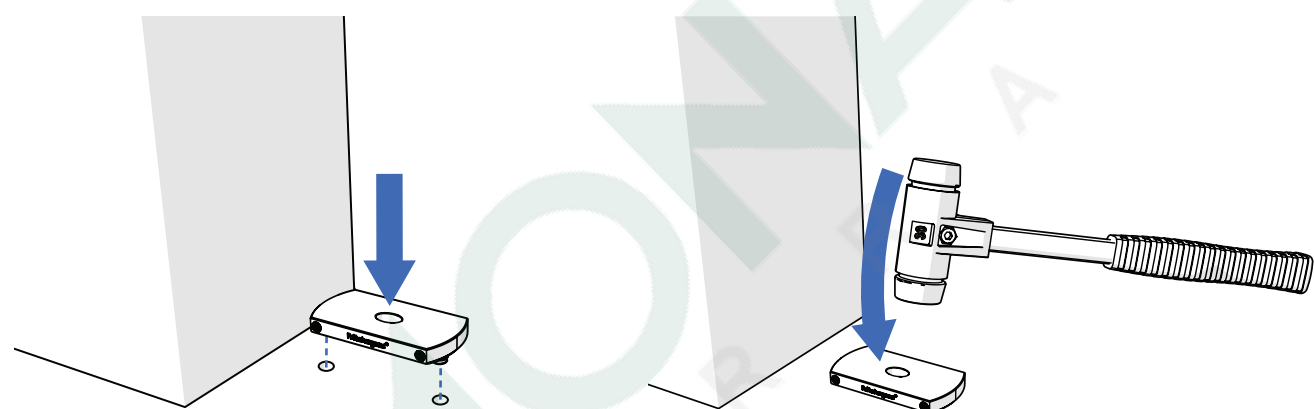
7 Fill the glue chambers in the floor plate with glue and apply a 1 mm layer of glue in between the chambers.



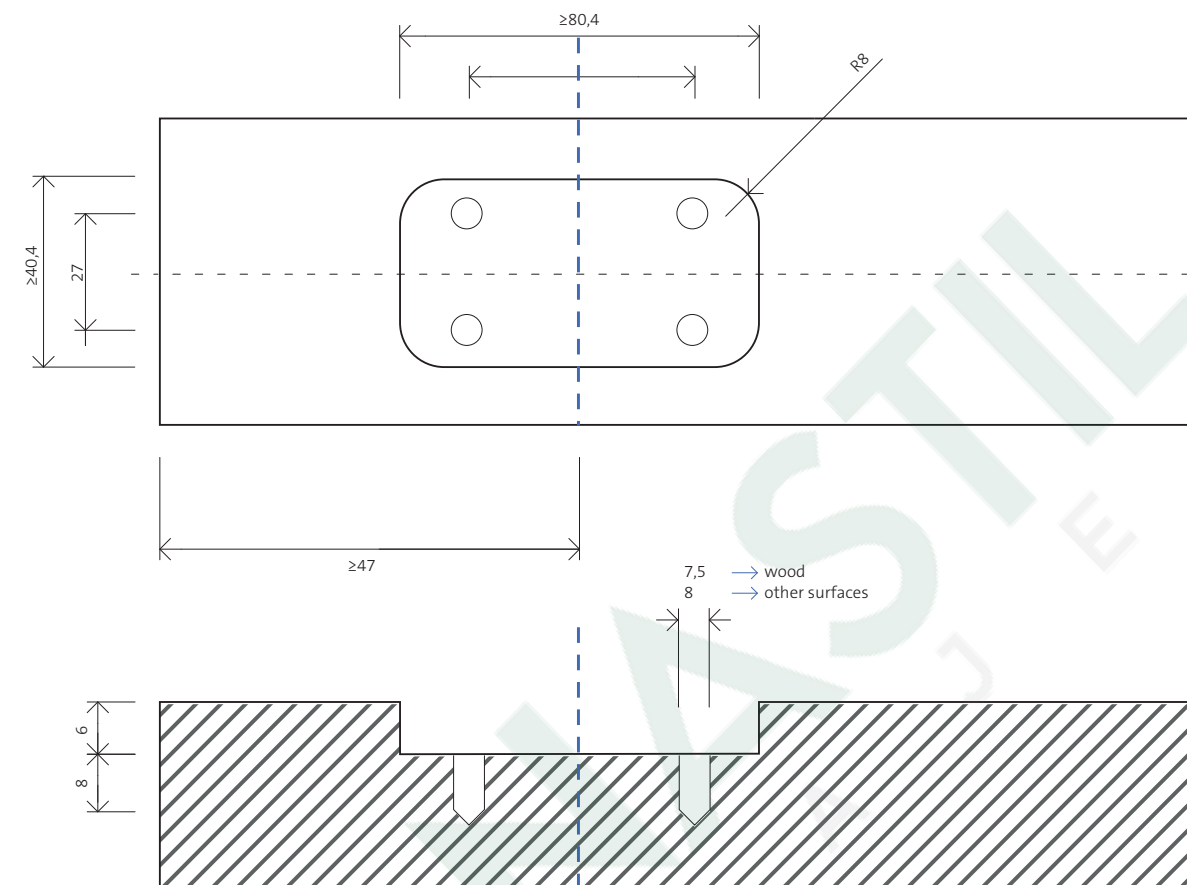
8 Add glue in the holes in the floor. Make sure the holes don't overflow when you place the floor plate.



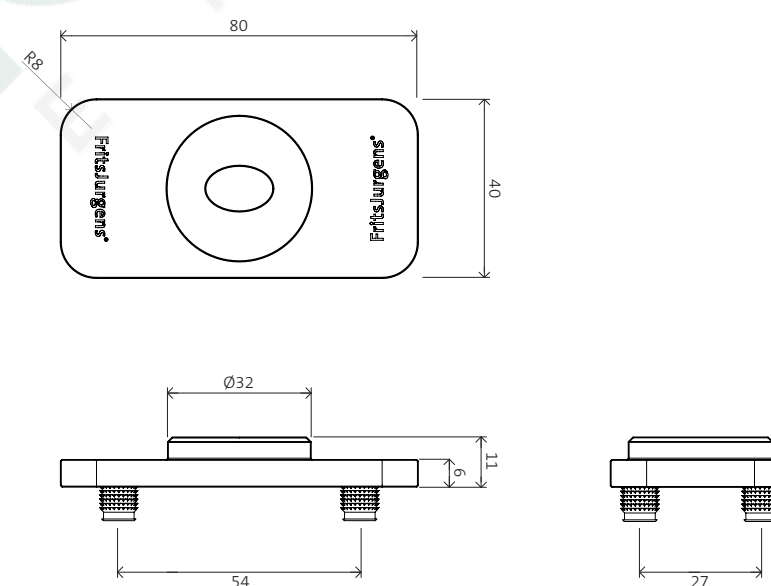
9 Use a rubber hammer to affix the floor plate.



FLOOR PLATE FLUSH ROUNDED
PREPARING THE FLOOR



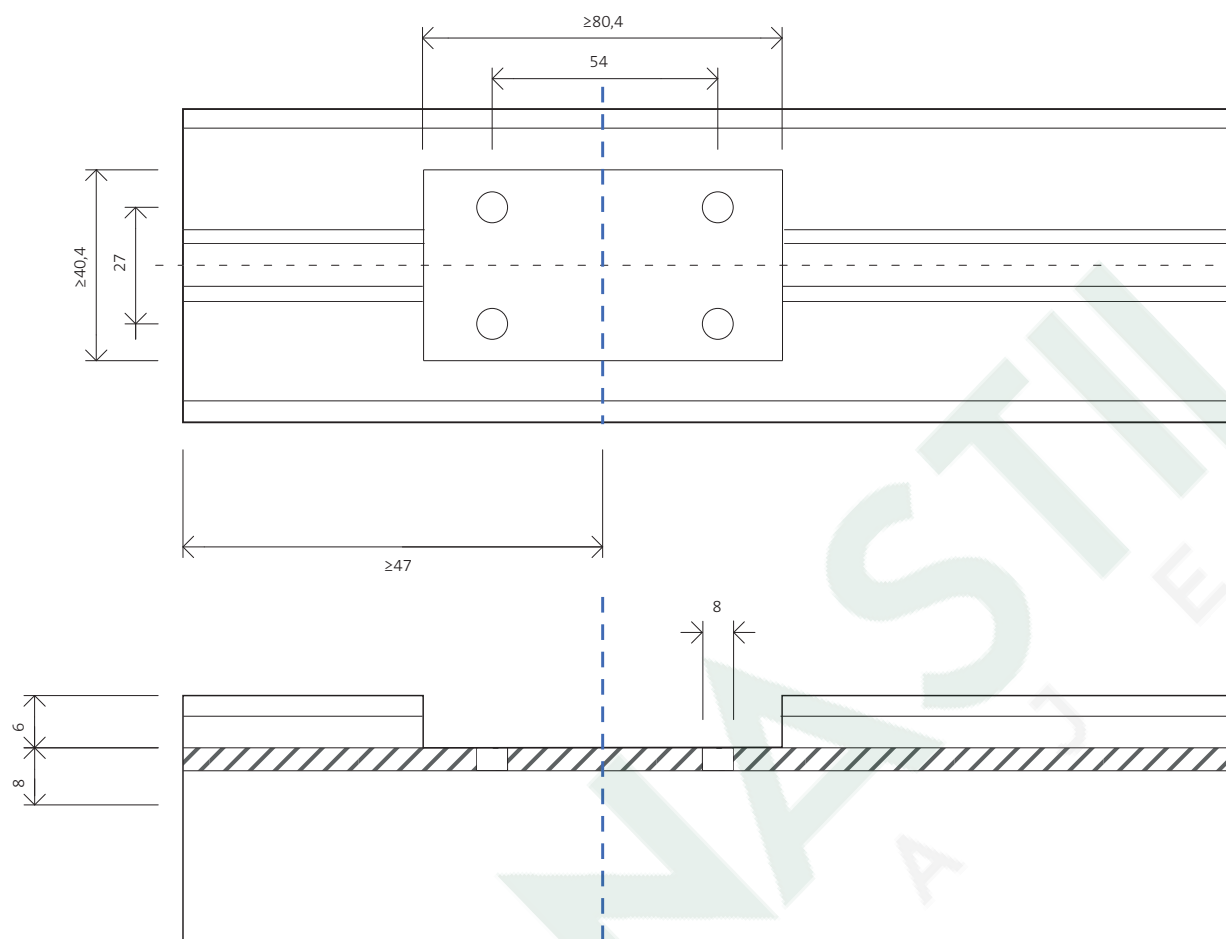
DIMENSIONS



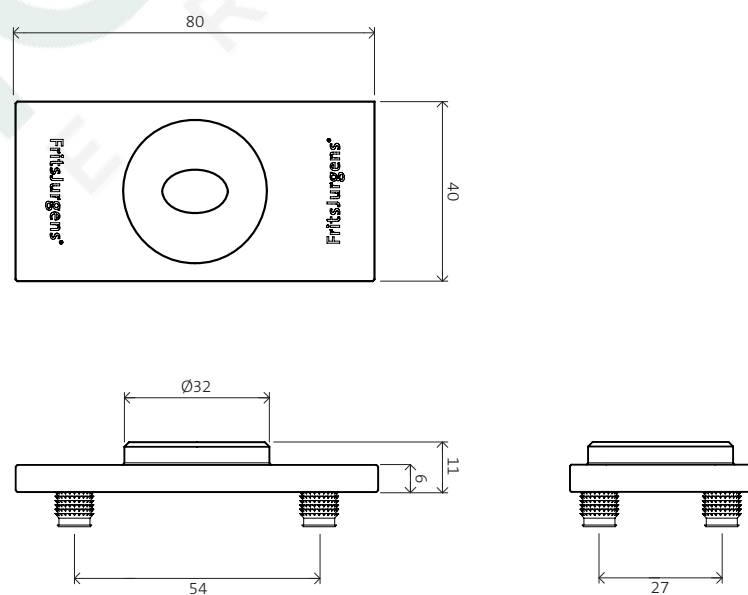
→ continue on page 21

→ follow steps 7, 8 and 9 on page 18

FLOOR PLATE FLUSH SQUARE
PREPARING THE FLOOR



DIMENSIONS

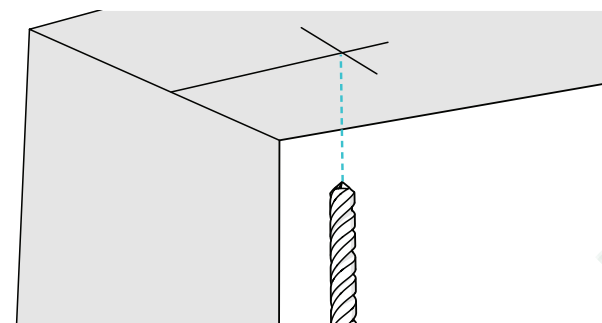
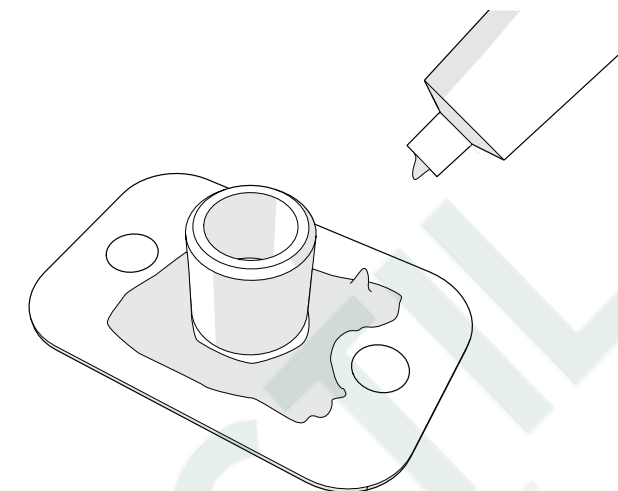


→ follow steps 7, 8 and 9 on page 18

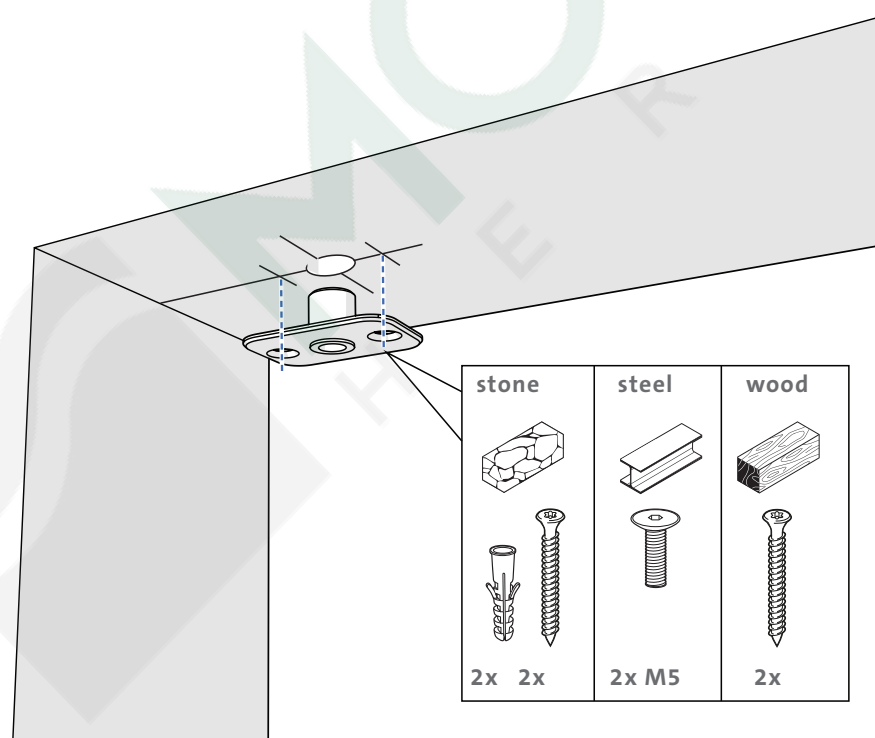
CEILING PLATE

- 1 Drill a hole for the ceiling plate.
- 2 Apply a 1 mm thick layer of glue to the ceiling plate.

ceiling plate 10 mm		20 mm (25/32 ")	Ø18 mm (45/64 ")
ceiling plate 15 mm		20 mm (25/32 ")	Ø20 mm (25/32 ")
ceiling plate cable grommet		Ø18 mm (45/64 ")	

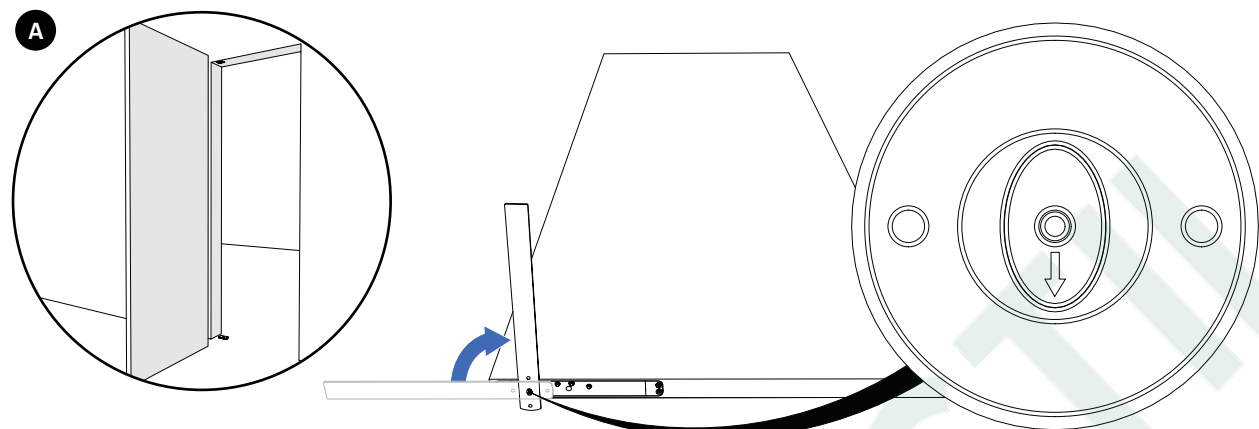


- 3 Affix the ceiling plate.



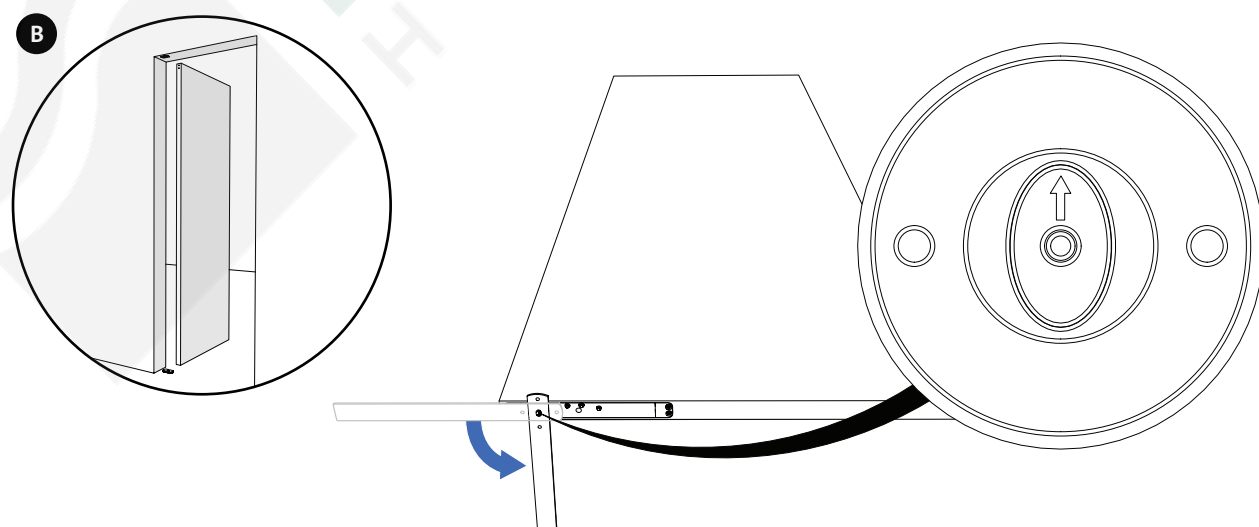
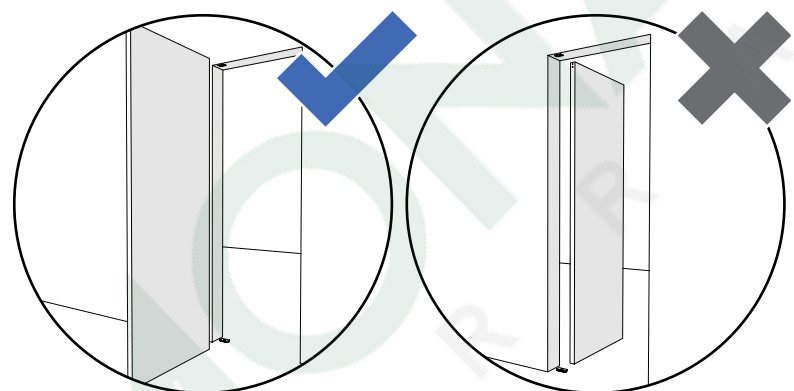
DOOR

- 1 Determine in which direction you will install the door. Turn the arrow on the system's spindle so it points to the latch side of the door when you install it. You can do this with the axle wrench or floor plate.



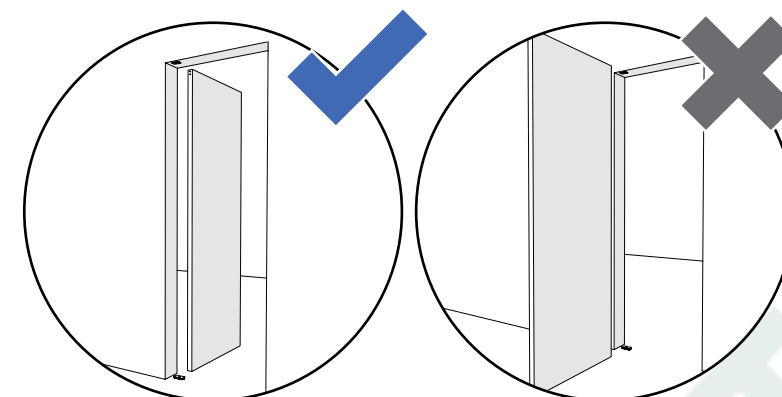
PAY ATTENTION

If you need to take the door out of the floor plate during the mounting process, always put it back the same way. If you do not do that, the arrow will point in the wrong direction, and the system will not function correctly.

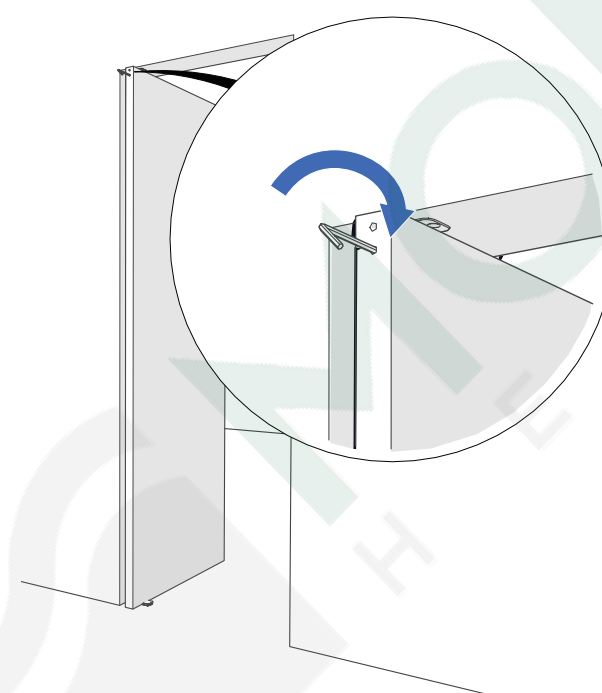


PAY ATTENTION

If you need to take the door out of the floor plate during the mounting process, always put it back the same way. If you do not do that, the arrow will point in the wrong direction, and the system will not function correctly.

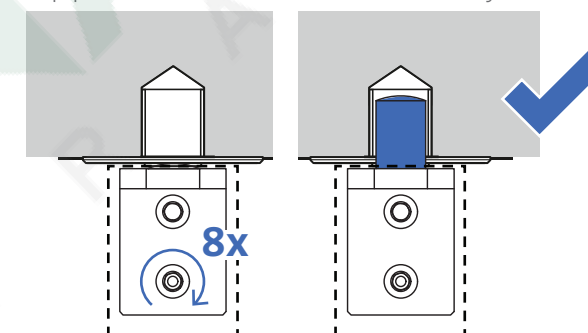


- 2 Position the door on the floor plate and align it with the ceiling plate.

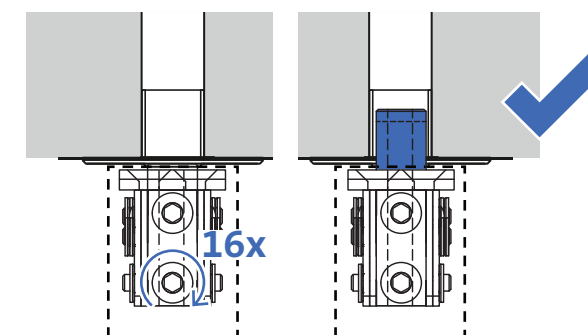


- 3 Extend the pivot with Allen key 5 or use the Hexagon Guide (page 12, item 6.2).

Top pivot 40 mm / 70 mm → Turn the key 8 times.

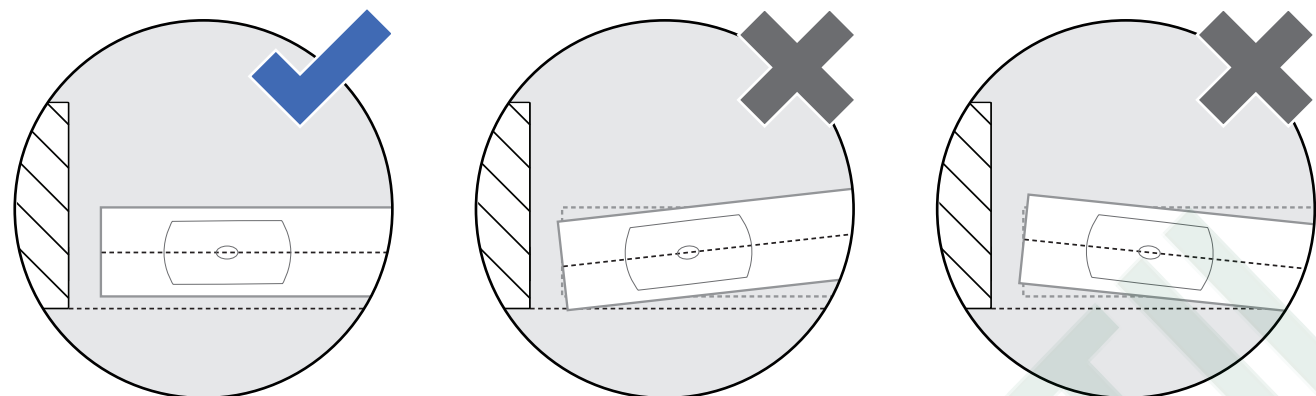


Top pivot cable grommet → Turn the key 16 times.

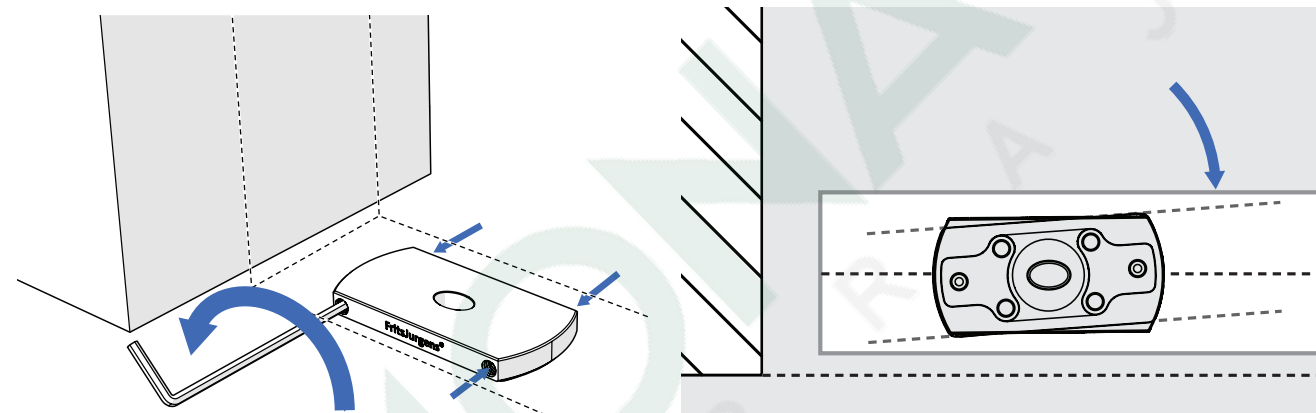


FINE-TUNING RADIAL POSITION*

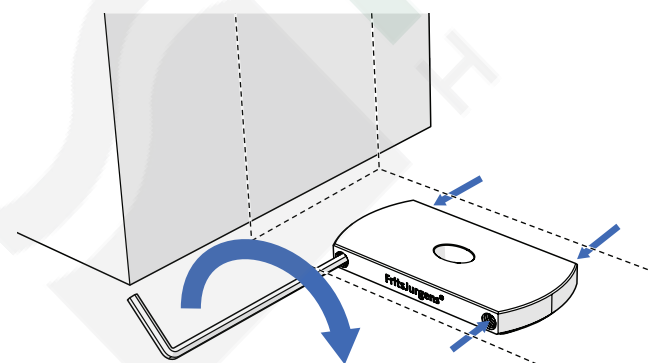
- 1 Check the radial alignment of the door.



- 2 If the door is not properly aligned, unlock the floor plate with Allen key 3.
- 3 Rotate the floor plate until the door is aligned parallel to the wall.



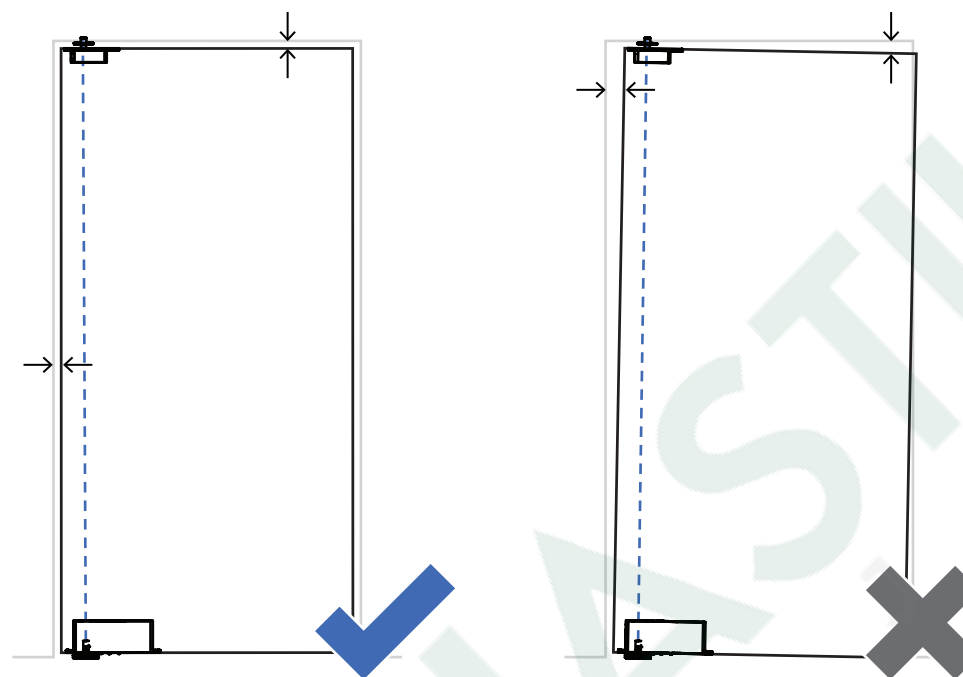
- 4 Lock the floor plate.



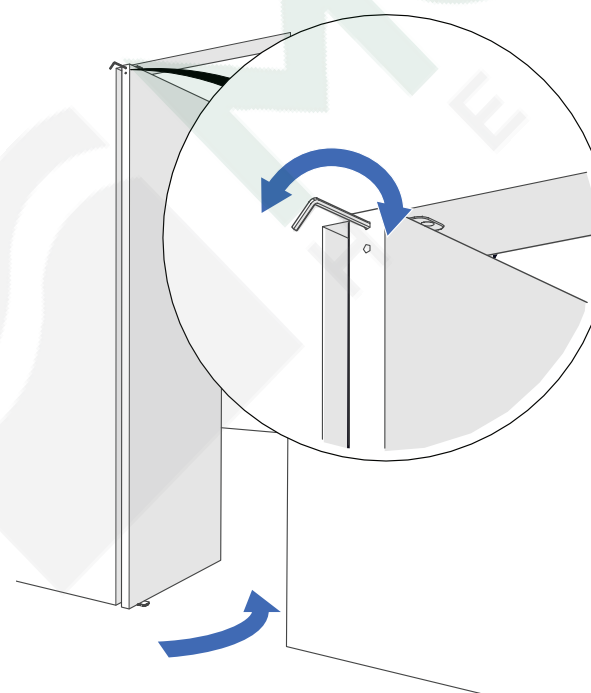
* Does not apply to floor plate Flush

FINE-TUNING THE CLOSING SEAM

- 1 Check if the door is aligned parallel to the ceiling and the wall.

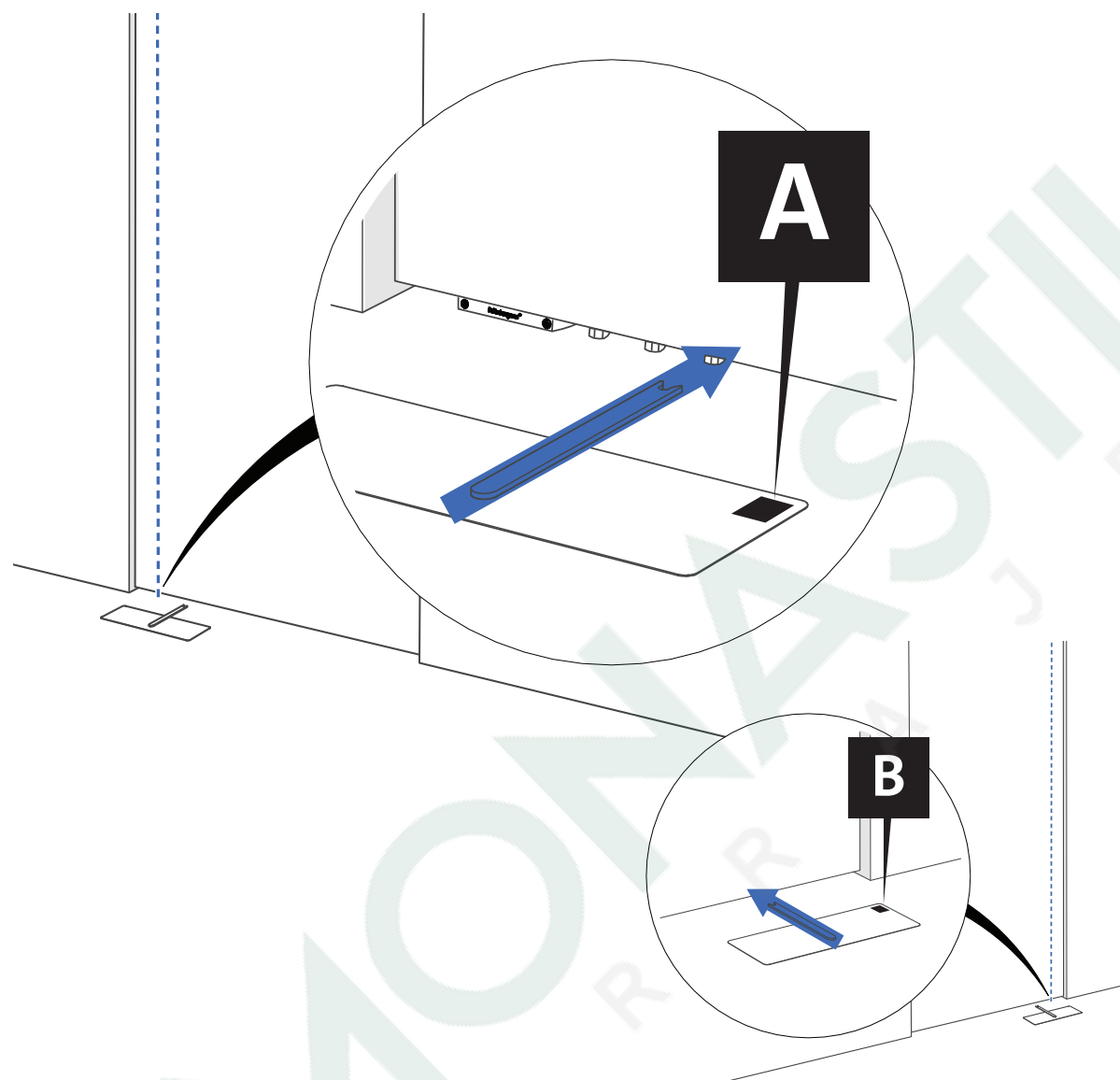


- 2 Open the door. Use Allen key 5 or the hexagon (page 12, item 6.2) until the door is aligned parallel to the ceiling and the wall.

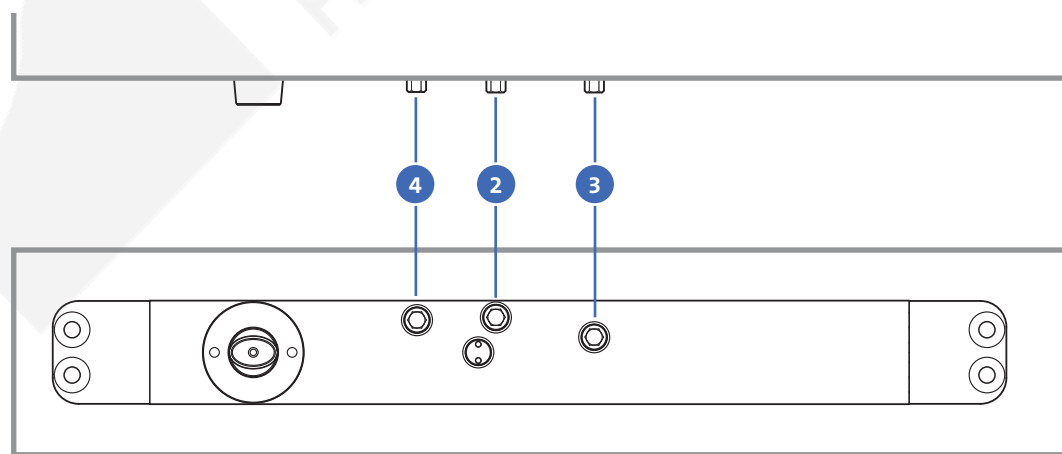


FINETUNING MOVEMENT

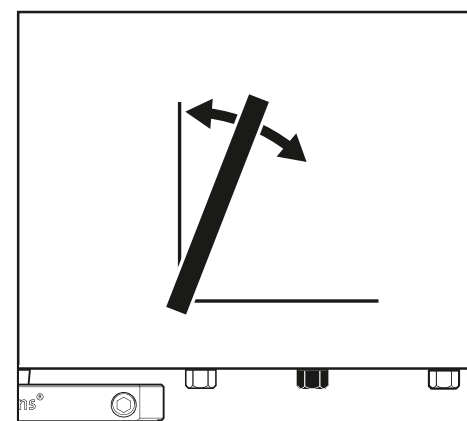
- 1 Use the reference sheet and the adjustment spanner to finetune the movement of the door.



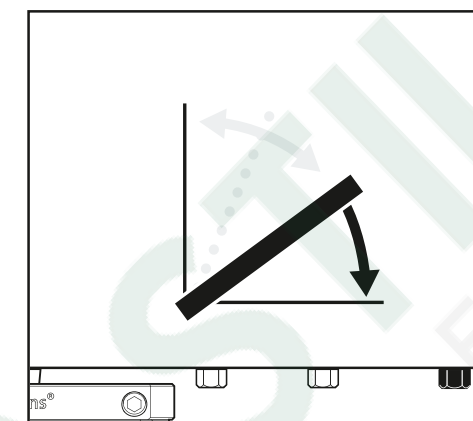
Use the front and bottom views to identify the adjustment screws.



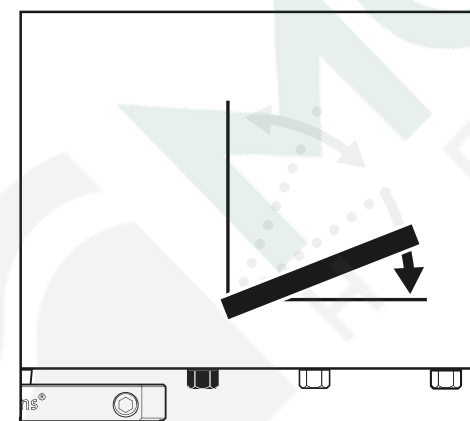
- 2 Adjust **Damper Control** to determine the door's opening speed (hydraulic backcheck).



- 3 Adjust **30° Speed Control** to determine the door's speed in the last 30° of the closing movement.



- 4 If your door has latching bolts, use **Latch Control** to make sure the door latches properly.



FritsJurgens®



FRITSJURGENS INTERNATIONAL

A. Einsteinlaan 1
9615 TE Kolham
The Netherlands
+31 598 343 410
info@fritsjurgens.com

FRITSJURGENS ITALIA (COMMERCIAL OFFICE)

Via Marsilio Ficino 22
50132 Firenze
Italy
+39 055 064 0290
info@fritsjurgens.com

FRITSJURGENS CHINA (COMMERCIAL OFFICE)

上海市长寿路360号源达大厦1508室
360 Changshou Road, Room 1508, Shanghai
China
+86 138 1692 5021
info@fritsjurgens.com

FJ.IN.M.EN.2022

copyright © FritsJurgens®

01-01-2022



8 720681 618487 >